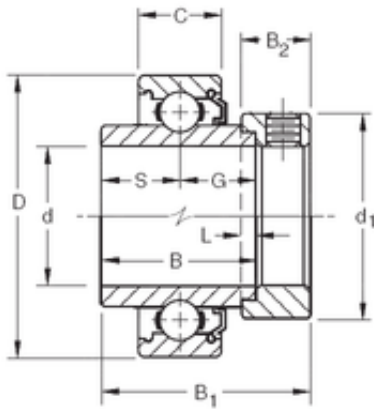




NACHI DRIVESHAFT, INC.

19.05 mm x 47 mm x 34,13 mm Timken 1012KL Ball Insert Bearings



Bearing No. 1012KL

| | |
|----------------------------------|-------------------|
| Size | 19.05x47x34.13 mm |
| Bore Diameter | 19.05 mm |
| Outer Diameter | 47 mm |
| Width | 34,13 mm |
| d | 19.05 mm |
| D | 47 mm |
| B | 34,13 mm |
| C | 14 mm |
| d1 | 33,34 mm |
| B1 | 43,7 mm |
| B2 | 13,5 mm |
| G | 17,06 mm |
| L | 3,97 mm |
| S | 17,06 mm |
| Weight | 0,209 Kg |
| Basic dynamic load rating (C) | 14,3 kN |

1012KL Bearing 2D drawings and 3D CAD models