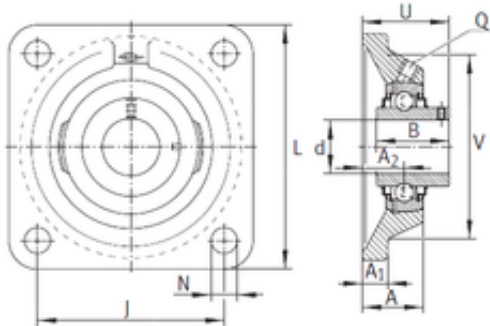




NACHI DRIVESHAFT, INC.

INA RCJY30-N Flange-Mount Ball Bearing Units



Bearing No. RCJY30-N

RCJY30-N Bearing 2D drawings and 3D CAD models

Bore Diameter	30 mm
d	30 mm
V	85 mm
U	42,2 mm
Thread (Q)	Rp1/8
A	29 mm
A1	12 mm
B	38,1 mm
J	82,5 mm
L	108 mm
N	11,5 mm
A2	20 mm
Weight	1,1 Kg
Basic dynamic load rating (C)	19,5 kN
Category	Flange Block Bearings
Inventory	0.0
Manufacturer Name	SCHAEFFLER GROUP
Minimum Buy Quantity	N/A
Weight / Kilogram	1.3
EAN	4012802797008
Product Group	M06110
Number of Mounting Holes	4
Mounting Method	Set Screw
Housing Style	4 Bolt Square Flange Block
Rolling Element	Ball Bearing



NACHI DRIVESHAFT,INC.

Housing Material	Cast Iron
Expansion / Non-expansion	Non-expansion
Mounting Bolts	11.5 Millimeter
Relubricatable	Yes
Insert Part Number	GYE30KRRB
Seals	Double Land Riding Rubber Contact
Housing Configuration	1 Piece Solid
Pilot Configuration	No Pilot
Inch - Metric	Metric
Long Description	4 Bolt Square Flange Block; 30MM Bore; 117MM Bolt Circle; 82.5MM Bolt Spacing; 1 Piece Solid; Set Screw Mount; Cast Iron; Ball Bearing; 38.1MM Length Thru Bore; Relubricatable; Double Land Riding Rubb
Other Features	Single Row Radial Metric With Grub Screw
Category	Flange Block
UNSPSC	31171501
Harmonized Tariff Code	8483.20.40.40
Noun	Bearing
Keyword String	Flanged
Manufacturer URL	http://www.ina.com
Manufacturer Item Number	RCJY30
Weight / LBS	2.867
Length Thru Bore	1.5 Inch 38.1 Millimeter
Bore	1.181 Inch 30 Millimeter
Bolt Spacing	3.248 Inch 82.5 Millimeter
Cartridge Pilot Diameter	0 Inch 0 Millimeter
Nominal Bolt Circle Diameter Round	4.6 Inch 117 Millimeter