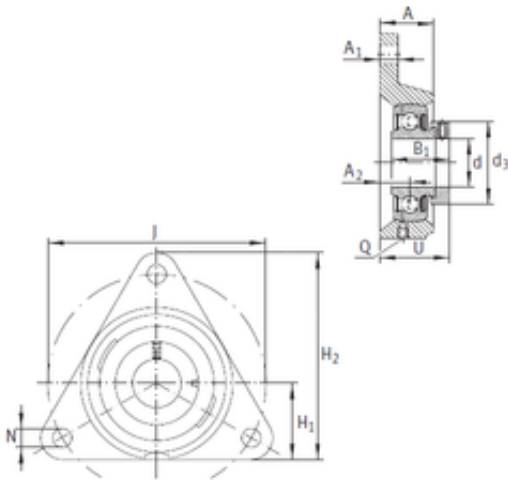




NACHI DRIVESHAFT, INC.

INA PCFTR20 Flange-Mount Ball Bearing Units

Bearing No. PCFTR20



PCFTR20 Bearing 2D drawings and 3D CAD models

| | |
|-------------------------------|--------------------------|
| Bore Diameter | 20 mm |
| d | 20 mm |
| U | 34 mm |
| Thread (Q) | Rp1/8 |
| d3 | 33 mm |
| A | 20 mm |
| A1 | 11 mm |
| B1 | 31 mm |
| H1 | 35 mm |
| H2 | 92 mm |
| J | 89,5 mm |
| N | 11,5 mm |
| A2 | 10,5 mm |
| Weight | 0,56 Kg |
| Basic dynamic load rating (C) | 12,8 kN |
| Category | Flange Block Bearings |
| Inventory | 0.0 |
| Manufacturer Name | SCHAEFFLER GROUP |
| Minimum Buy Quantity | N/A |
| Weight / Kilogram | 0.671 |
| EAN | 4012802791051 |
| Product Group | M06110 |
| Number of Mounting Holes | 3 |
| Mounting Method | Eccentric Collar |
| Housing Style | 3 Bolt Triangular Flange |



NACHI DRIVESHAFT, INC.

| | |
|------------------------------------|--|
| | Block |
| Rolling Element | Ball Bearing |
| Housing Material | Cast Iron |
| Expansion / Non-expansion | Non-expansion |
| Mounting Bolts | 11.5 Millimeter |
| Relubricatable | Yes |
| Insert Part Number | GRAE20NPPB |
| Seals | Double Lip Contact |
| Housing Configuration | 1 Piece Solid |
| Pilot Configuration | No Pilot |
| Inch - Metric | Metric |
| Long Description | 3 Bolt Triangular Flange Block; 20MM Bore; 90MM Bolt Circle; 78.5MM Bolt Spacing; 1 Piece Solid; Eccentric Collar Mount; Cast Iron; Ball Bearing; 31MM Length Thru Bore; Relubricatable; Double Lip Cont |
| Other Features | Single Row With Set Screw |
| Category | Flange Block |
| UNSPSC | 31171501 |
| Harmonized Tariff Code | 8483.20.40.40 |
| Noun | Bearing |
| Keyword String | Flanged |
| Manufacturer URL | http://www.ina.com |
| Manufacturer Item Number | PCFTR20 |
| Weight / LBS | 1.235 |
| Cartridge Pilot Diameter | 0 Inch 0 Millimeter |
| Cartridge Pilot Depth | 0 Inch 0 Millimeter |
| Nominal Bolt Circle Diameter Round | 3.5 Inch 90 Millimeter |
| Length Thru Bore | 1.22 Inch 31 Millimeter |
| Bolt Spacing | 3.1 Inch 78.5 Millimeter |



NACHI DRIVESHAFT,INC.

Bore

0.787 Inch | 20 Millimeter